

# Teison

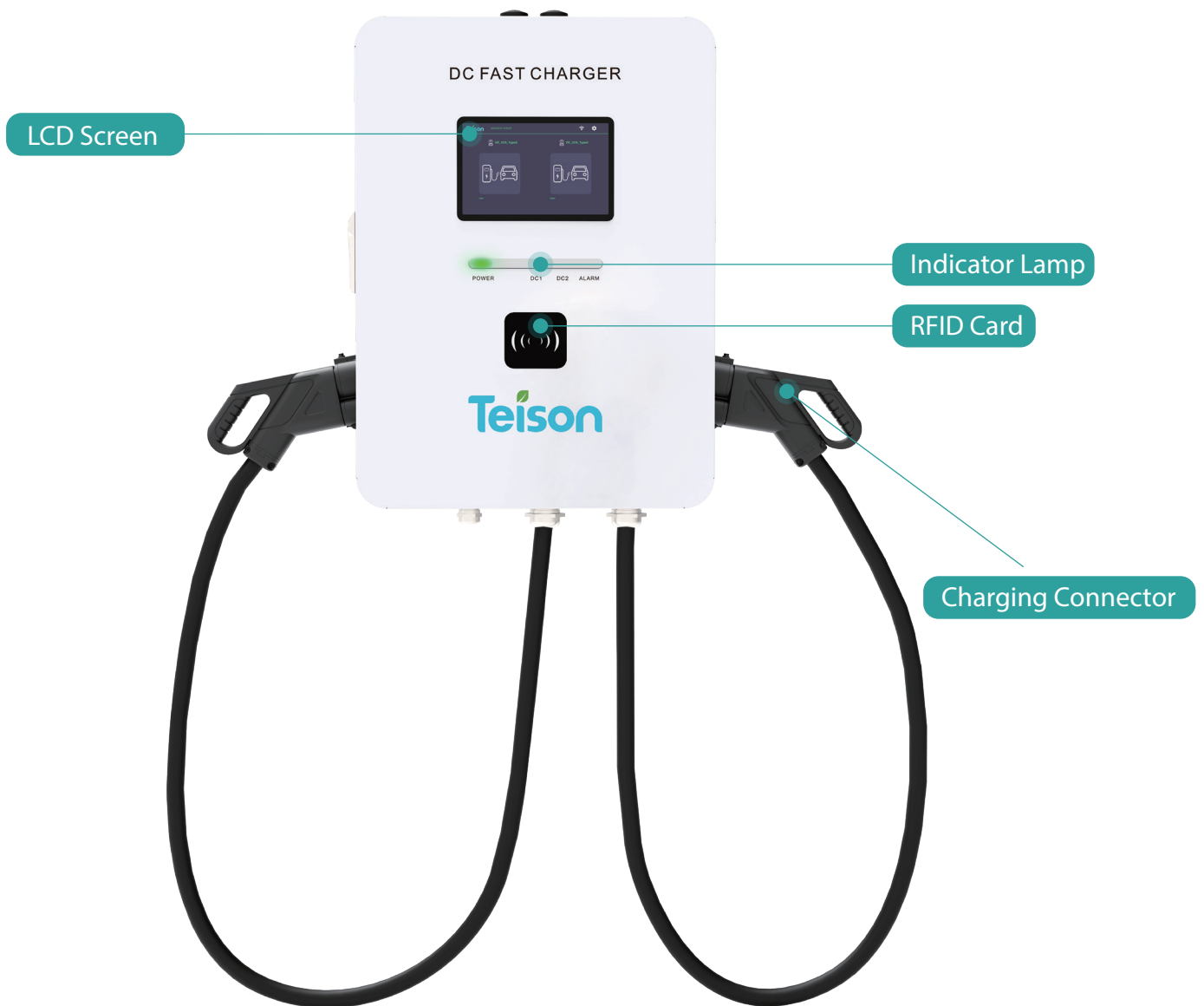


## Teison DC Mini 20-40kW

TS-EDW20-001  
TS-EDW30-001  
TS-EDW40-001



# Most Safety Charging Solution



# Product Features



Support European standard CCS2 charging point



ISO15118/DIN70121, IEC61851, IEC62196



10.1-inch high-definition LCD capacitive touch LCD, multi-language support



RFID, Plug and Charge, QRCode



Ethernet connection server



Wide voltage (200~1000V), wide current (0-80A) output



Smart charging power distribution load management

## **Designed for Future Smart Charging Network**

- Timeless and classic design fits in urban space and architecture.
- Compatible with full smart functions under OCPP 1.6 J-SO.
- Authorization for use on a mobile application or a cloud platform to monitor the charger operation remotely.
- Connecting to the network by 4G,WIFI and Ethernet.
- Independent Access hole, wiring entrance and rail-mounted components for most effective installation and maintenance.
- Protecting the life of car battery with the most stable charging process.

## **Highest Safety**

- Galvanized steel sheet housing material,Have good heat dissipation. The structural strength is high, and the outdoor installation is not easy to be damaged.
- The housing is made from materials specially developed for top heat dissipation and with flame retardant coating.
- Completely meets all requirements of the CE applicable standards.
- AC + DC faults detection.
- Real-time monitoring for heat and all instabilities during charging process.

# Product Configuration

Product Code	Vehicle Connector	MAX. Charging Current	MAX. DC Charging Power at 300-1000VDC
TS-EDW20/30A	CCS2	80A	20/30kW
TS-EDW20/30B	CHAdeMO		
TS-EDW20/30C	GB/T		
TS-EDW40A	CCS2	150A	40kW
TS-EDW40B	CHAdeMO		
TS-EDW40C	GB/T		
TS-EDW40AA	2 × CCS2	150A	40kW
TS-EDW40AB	CCS2 & CHAdeMO		
TS-EDW40AC	CCS2 & GB/T		

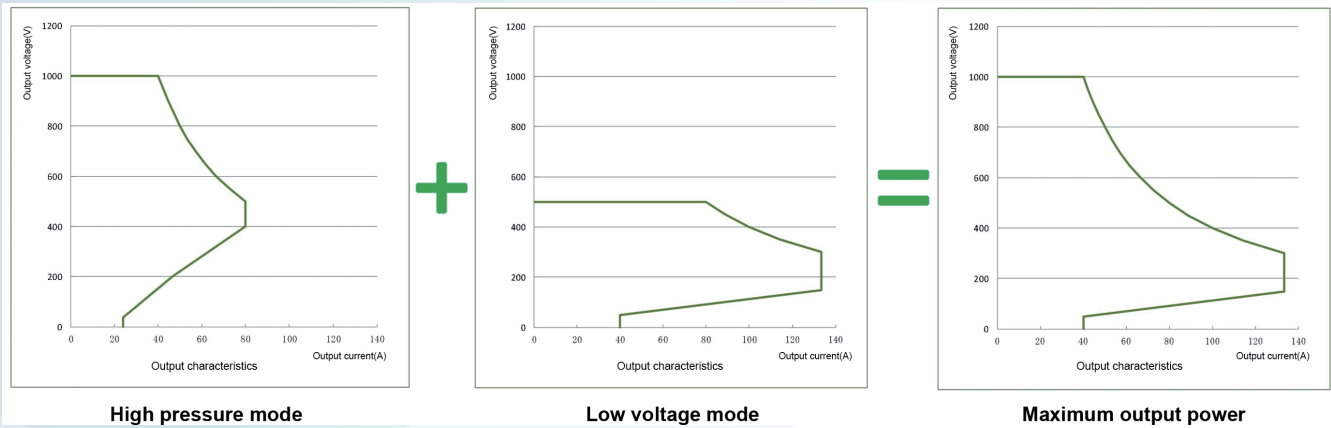
**Note: Other types of charging stations, such as CCS1, may also be selected and customized according to specific needs.**

## Options

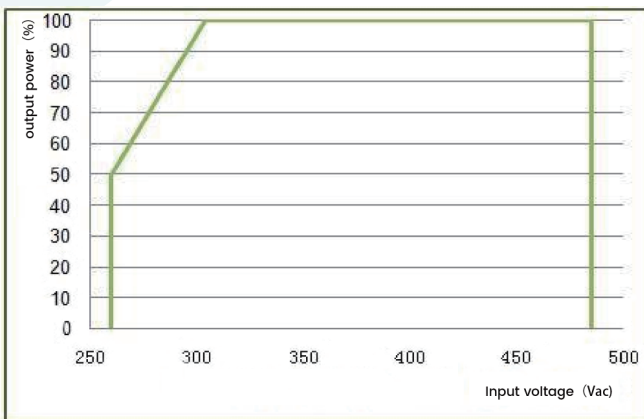
Network Gateway	4G
Payment Method	POS machine
Cable Management	Optional
Customized Branding	Branding options, such as custom colors and stickers Contact Teison for availability, pricing, and minimum order quantity

# Characteristic Curve

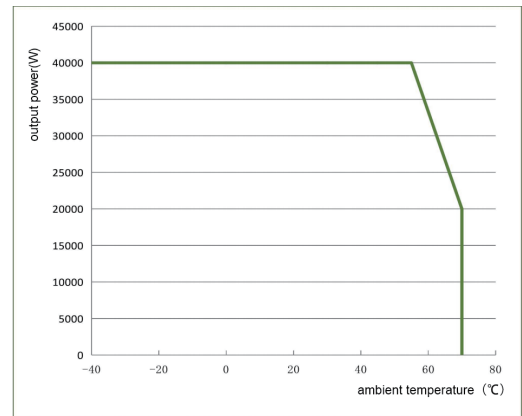
The output characteristics, voltage and current relationship are shown in the figure below.



Input voltage and power



Input power limit curve of charging pile module

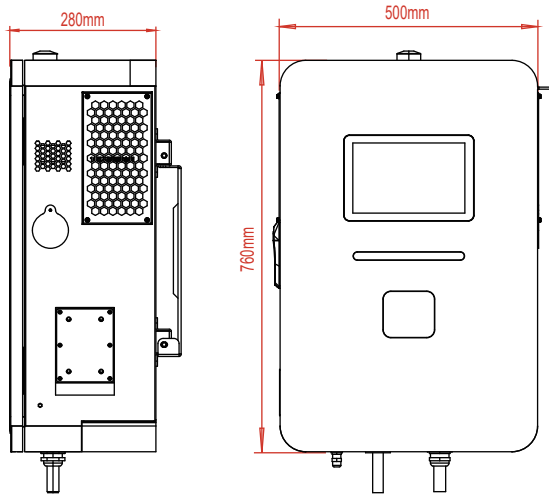


Temperature limit power curve

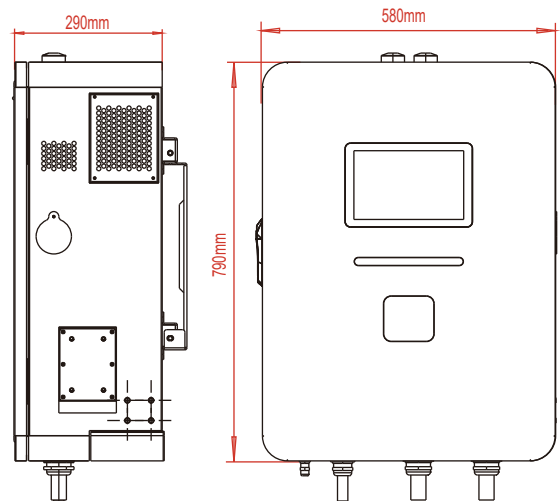
# Parameter Instructions

Specification				
Model		TS-EDW20-001	TS-EDW30-001	TS-EDW40-001
Electrical Properties				
AC Input	Input Rating	AC400V(±10%) 3ph	AC400V(±10%) 3ph	AC400V(±10%) 3ph
	AC Input Connection	3P+N+PE	3P+N+PE	3P+N+PE
	Rate Input Current	3Φ30A	3Φ46A	3Φ61A
	Frequency	50/60Hz	50/60Hz	50/60Hz
	Power Factor	≥0.99	≥0.99	≥0.99
	Efficiency	≥95%	≥95%	≥95%
DC Output	Output Voltage Range	200V-1000V	200V-1000V	200V-1000V
	Max.Output Current(system)	66A	100A	133A
	Max.Output Current(connector)	80A	80A	150A
	Max.Output Power	DC20kW	DC30kW	DC40kW
	Voltage Accuracy	≤±0.5%	≤±0.5%	≤±0.5%
	Current Accuracy	≤±1%	≤±1%	≤±1%
User Interface & Control				
Display	10.1" touch screen(Android system)			
Screen Material	LCD			
Push Buttons	Operation buttons/emergency buttons			
User Authentication	RFID,OCPP,QR code,password,application			
Support Language	English (Other languages available upon request)			
Communication				
External	Ethernet,WIFI			
Internal	CAN,RS485,RS232			
Environmental				
Operating Temperature	-30 C ~ +50 C			
Humidity	<95% relative humidity, non-condensing			
Altitude	≤2000m(6000 feet)			
Mechanical				
Ingress Protection	IP55			
Enclosure Protection	IK10			
Cooling	Air forced			
Installation Method	Wall-mount / stand-pile			
Protection				
Protection	Over current, under voltage, over voltage, residual current, surge protection, short circuit, over temperature, ground fault			
Regulation				
Certificate	CE and CB certificated by TUV rheinland			
Standard	EN IEC-61851-1:2019; EN61851-23:2014; EN 61851-24:2014; EN IEC 61851-21-2:2021			
Optional Config				
Network Gateway	4G			
Payment Method	POS machine			
Cable Managerment	Optional			
Customized Branding	Branding options, such as custom colors and stickers Contact Teison for availability, pricing, and minimum order quantity			

# Product Size and Package



20/30/40kW Single Connector



40kW Double Connector

Product Code	Package Size(mm)	Package Weight(KG)
TS-EDW20	1020*720*550	86
TS-EDW30/40		90
TS-EDW40	1120*870*550	125

# Charging Instruction

## RFID Prepaid Charging Mode

Click the start button on the display screen, and the screen will show a swipe signal. Once this interface appears, place the card at the card reader.



## Scan the Code on the App to Start Charging

Click on User Preference and then select QR Authentication.

Open the My Teison app and enable the scanning function.



## Unverified Startup Charging

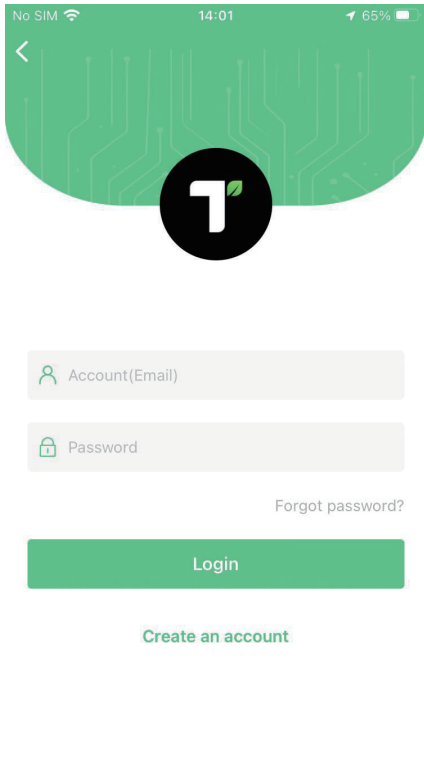
Click on User Preference and then select No Authentication.

Click the start button on the display screen and wait for the device to connect to the vehicle.

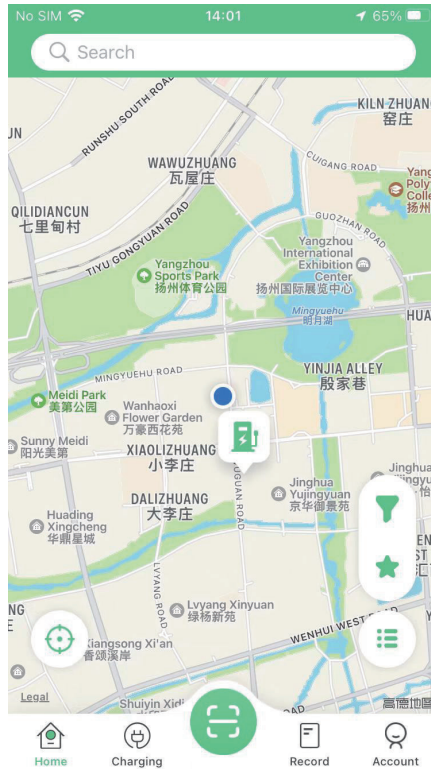


**Note: It also supports POS card charging. For more detailed instructions, please refer to the manual.**

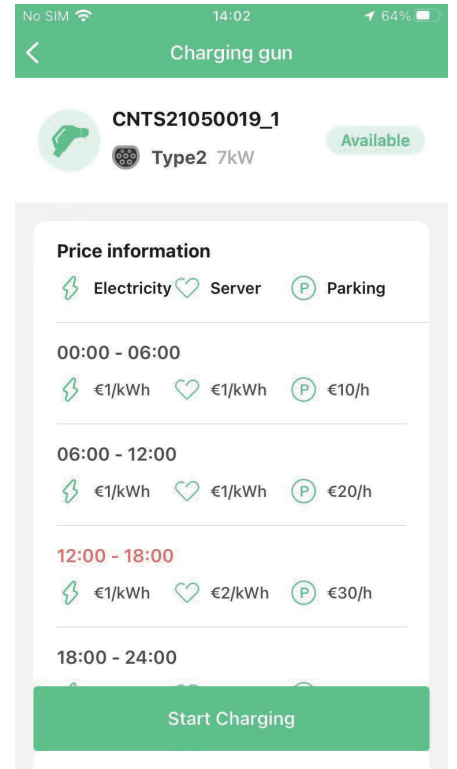
# APP Charge



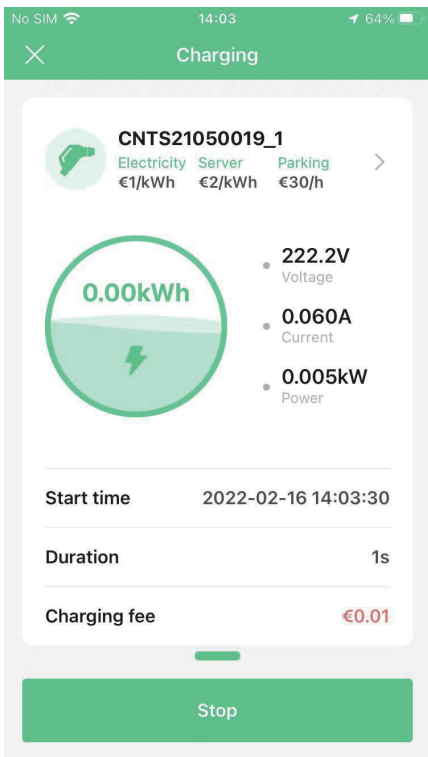
Register your information and login



Scan the code when charging



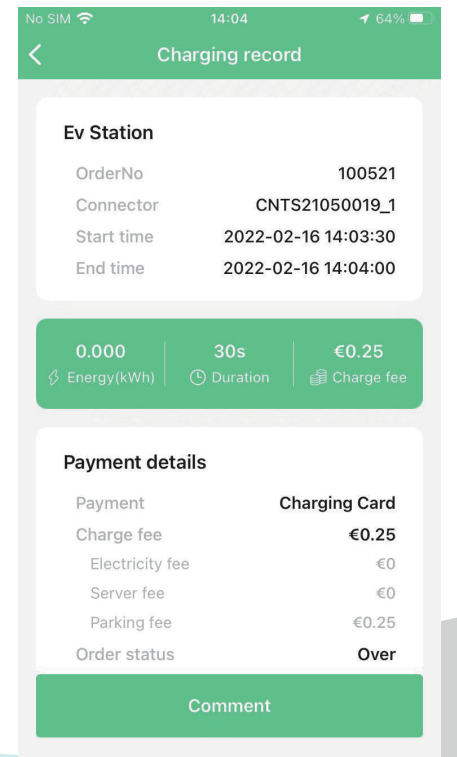
Choose charging mode to charge



Charging status



Check your account and bill information





## Teison Profile

Teison is a high-tech enterprise in the new energy sector, specializing in electric vehicle charging and energy storage technologies. We offer full-scenario solutions integrated with intelligent cloud platforms, with a core focus on high-power DC fast charging, combined charging and storage systems, and the development of a digital energy ecosystem—driving the global transition toward cleaner energy.

With strong R&D capabilities and extensive international market experience, Teison provides a comprehensive product portfolio, including megawatt-level liquid-cooled split DC systems, air-cooled DC chargers, wall-mounted fast chargers, smart AC home chargers, and portable charging devices. Our products are designed for residential, commercial, workplace, and high-power operational environments, and are certified to meet major standards across Europe, the US, China (GBT), and Japan. All devices support the OCPP 1.6J protocol and are certified by leading authorities such as TÜV, UL, and ETL.

Operating in over 40 countries, Teison has established overseas branches, warehouses, and localized service networks, working closely with more than 100 global partners to deliver efficient, tailored solutions. Guided by a commitment to safety and innovation, Teison is dedicated to creating high-performance, scalable charging products that support the future of smart, low-carbon mobility.

# Factory History

**2018**

Teison established in Yangzhou, Jiangsu Province.  
Specializing in the production, research and development, and customization of EV charging equipment.

**2019**

Developed OCPP AC charger and get TUV certificated.

**2020**

1. Awarded as national high-tech enterprise .
2. Established a new production facility.
3. Developed full line of DC chargers.

**2021**

Performance continued to grow, becoming the new energy industry export sales champion enterprise in Yangzhou.

**2022**

1. Production facility expanded.
2. Serving partners in 45 countries and regions worldwide.

**2023**

1. Sales hit 100 million yuan with compound increase of 30% .
2. Smart Energy System Solutions.

**2024**

1. Establish offices worldwide.
2. Improve Teison's localization services.